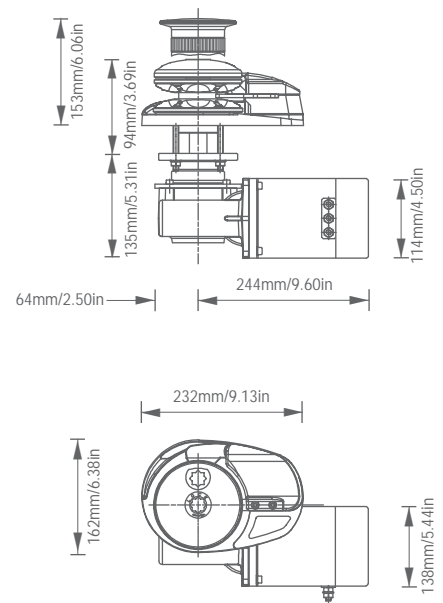




Photo: Intrepid Yachts



## ■ Project 1000

Vertical rope/chain windlass for boats from 23'-46'. The Project 1000 features a two-speed motor for controlled retrieval and accelerated payout. Low profile models incorporate Lofrans' unique lockable clutch for added safety.

### Standard Equipment

- Two footswitches
- Watertight control box
- Clutch/manual operation handle
- Neoprene mounting gasket

### FEATURES

Finish	Chrome
Motor	Dual Direction, Series Wound
Gearbox	Stainless Worm Drive Radially Adjustable
Gears	Bronze
Mainshaft	Stainless
Chainpipe	Fixed
Chain Stripper	Stainless
Mounting Hardware	SS Studs, Washers and Nuts
Manual Override	Standard
Rope Capstan	Optional
Extra Deck Clearance	Optional (to 5")

### SPECIFICATIONS

Power Supply	12V	24V
Motor Wattage	1000W	1000W
Power Rating (lbs.)	1450	1450
Approx. Amp Draw	70-110	40-60
Max Retrieval Speed (ft./min.)	78	
Chain Size	5/16"	
Rope Size	9/16", 5/8"	
Net Weight (lbs.)	45	45

factoid

### Low Profile or Capstan?

All Lofrans vertical windlasses are offered with and without a rope capstan. Low profile versions keep the foredeck uncluttered and visually pleasing. Capstan versions have a rope drum that operates independently of the rope/chain gypsy, an advantage when using two anchors or as a snubbing winch in docking maneuvers.

Need accessories? Visit [www.imtra.com](http://www.imtra.com)

LOFRANS WINDLASSES