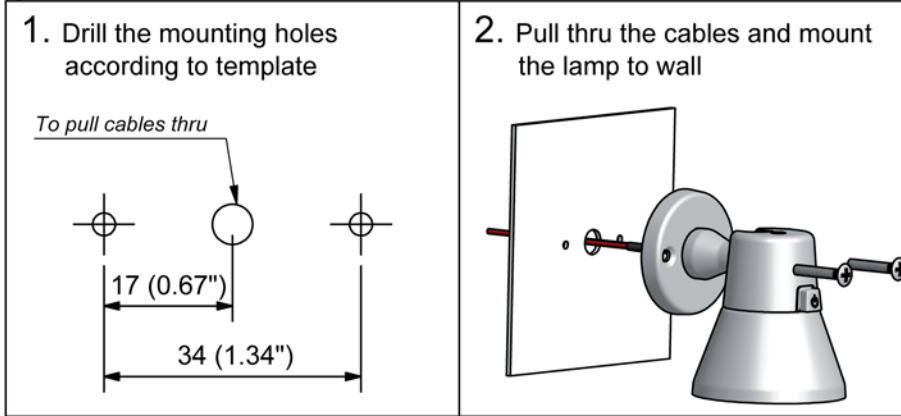


READING LAMP - BALTIC

Mounting Instructions

Flush-mount



Wiring Color Coding

The LED lamp is polarity-proofed. The reversal of the polarity will not damage this product but will inhibit its function. When making wire connections; Imtra recommends soldering wire ends and using heat-shrink (adhesive lined) insulated butt-splice (connectors) or similar approved ABYC connectors.

Cable Color	Connect to
Black	Neg (-)
Red	Pos (+)

LED Specifications

Voltage input: 12 / 24 VDC
Power Consumption: 1,35W (120mA/12V or 60mA/24V)
Average Life: 70,000 hours

Certifications



Limited Warranty



Imtra Corporation guarantees this product for three years against defects in material and workmanship. Any product developing such defect within this period will be repaired or replaced at our option providing it is sent to us, transportation charges prepaid. Proof of purchase date to Imtra Corporation must accompany return.

This limited warranty does not cover damages to this product through accident or misuse, nor does it cover any incidental expense to the user resulting from a non-function or malfunction of this product. Some states do not allow the exclusion or limitation of incidental or consequential damages, so the above limitation or exclusion may not apply to you. This warranty gives you specific legal rights. You may also have other rights which vary from state to state.

This limited warranty notice replaces any other warranty or guarantee information accompanying this product



Imtra Corporation,
30 Samuel Baret Blvd, New Bedford, MA 02745
Ph: 508-995-7000 F: 508-998-5359 www.imtra.com.